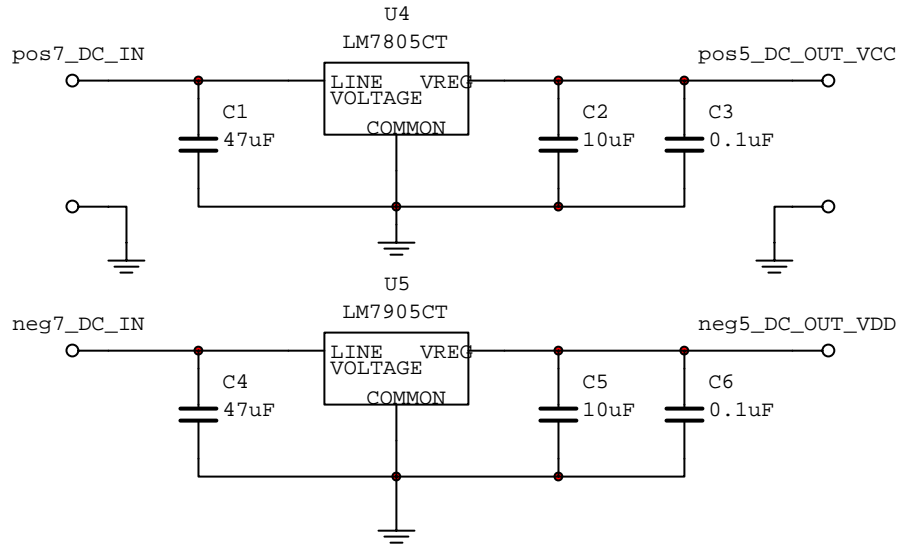


Regulated +/- 5V Power Supply Circuit  
 11 December 2004  
 Aron Dobos



Output Amplifier and Rectifier Circuit  
 11 December 2004  
 Aron Dobos

